

Security Light ST Series



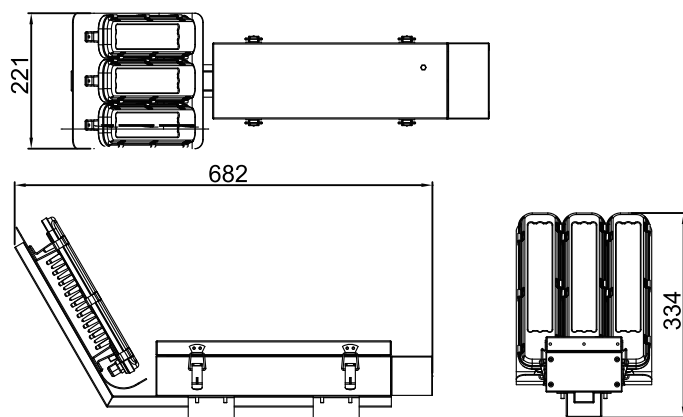
▶ STB1 Wall Mount



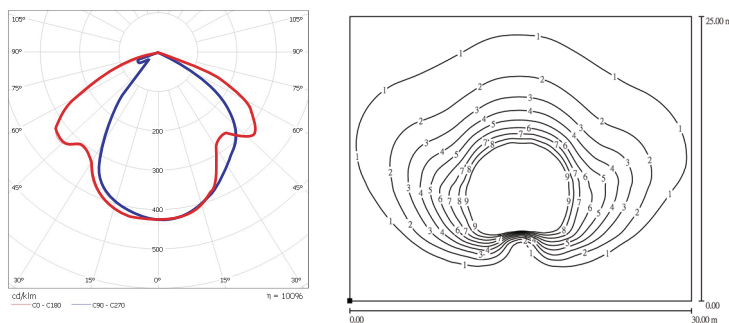
▶ STP2 Pole Mount

Mechanical dimensions (unit:mm)

▶ Wall Mount



Photometric data and projection map



Application areas

Roadway, pedestrian trails, plazas, parks, and security lighting, etc.

Basic description

- ▶ Voltage/Frequency : 100 ~ 240V(AC) / 50 , 60(HZ)
- ▶ Power factor : >0.92
- ▶ CRI : 70
- ▶ Optics : T1
- ▶ Operating ambient temp. : -20°C ~ +45°C
- ▶ Operating ambient temp.(RH%) : 30~85
- ▶ Ingress protection : IP65
- ▶ Electrical safety class : Class I
- ▶ Fixture material : PC / AL
- ▶ LED lifespan (L₇₀) : 40000hrs
- ▶ Optional color : Silver grey



Shenzhen City, Guangdong / China

Product specification

Number of LEs	Model number	Power consumption (W / AC)*	Luminaire luminous flux (lm)*	Luminaire efficacy(lm/W)*	CCT (K)	Dimensions (L x W x H) mm	Weight (kg)	Installation
3	STB3-450CT1PC10	93	5850	60	4500-5500	682x221x334	6.6	Wall Mount
	STP3-450CT1PC10	93	5850	60	4500-5500	682x221x334	6.6	Pole Mount
2	STB2-450CT1PC10	62	3900	60	4500-5500	682x150x334	5.8	Wall Mount
	STP2-450CT1PC10	62	3900	60	4500-5500	682x150x334	5.8	Pole Mount
1	STB1-450CT1PC10	34	1950	60	4500-5500	682x150x334	4.8	Wall Mount
	STP1-450CT1PC10	34	1950	60	4500-5500	682x150x334	4.8	Pole Mount

Note:**asterisk might have $\pm 10\%$ difference.